

变更标记	日期	变更内容	签名	核准

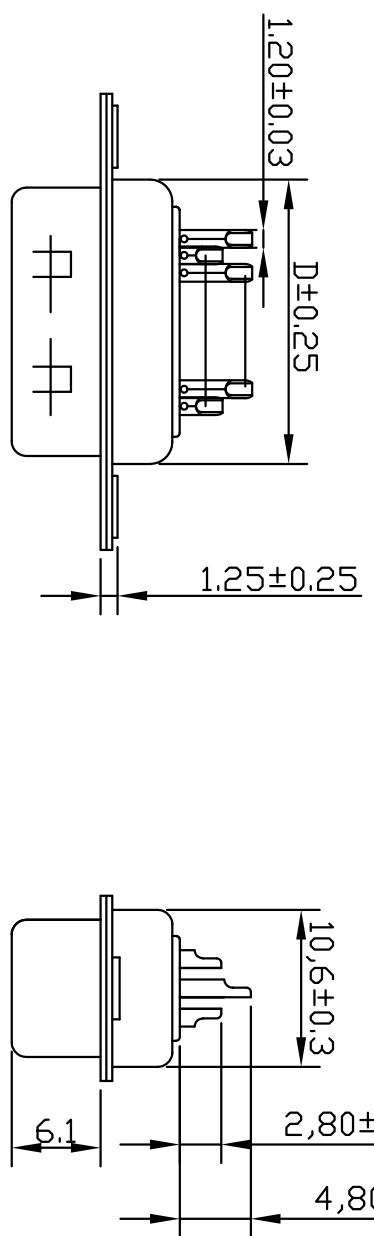
Material & finish

SHELL:
steel
Zinc plated, Tin plated
or Nickel plated steel
PIN CONTACT:
Phosphor bronze or brass
Gold Plated
INSULATOR:
PBT & Glass-fibre reinforced
UL-94-V0

NUMBER OF CONTACT:
15 26 44 62

CURRENT RATING:
3Amp

INSULATOR RESISTANCE:
1000Mh MIN.(at 500V DC)
TEMPERATURE:
-55°C to +105°C



	A	B	C	D	E
15	16.9	25.0	30.8	19.0	2.29
26	25.35	33.3	39.2	27.7	2.29
44	39.0	47.0	53.0	41.0	2.29
62	55.4	63.5	69.4	57.3	2.41

HD-X P X V X X A 0 0

Pin: 15 26 44 62
COLOUR
B: Blue K: Black W: White 2: 661C
blue 3: 235C Red 4: 322C green
6: 131C Yellow

SHELL PLATING
A: Gold B: Front Gold and back Tin C: Front Nickel and
Back TIN N: Nickel T: Tin 5: Zinc D: CU/ZN/SN
F: Front Nickel 48H and Back Three Layers of TIN

Contact Finish
A: Gold Flash C: Gold Flash3U" D: Gold Flash5U" E: Gold Flash15U"
F: Gold Flash30U" G: Gold T: Tin



东莞扬顺五金电子有限公司
Dong Guan City Yang Shun Hardware Electron Co., Ltd

未注公差	设计	品名规格	HD-传统公牌线式	
X. ±0.30	审核	雷永兴	料号	HD-xP\V\XXXXA00
X.X ±0.20	核准		日期	2012-09-03
X.XX ±0.10	单位	mm	图号	YS-11-0028
X.XXX ±0.05			比例	1:1
X.* ±2° X.X° ±1°			版次	A/0