

变更标记	日期	变更内容	签名	核准

Material & finish

SHELL:

steel
Zinc plated, Tin plated
or Nickel plated steel
PIN CONTACT:
Phosphor bronze or brass
Gold Plated
INSULATOR:
PBT & Glass-fibre reinforced

UL-94-V0

NUMBER OF CONTACT:

15 26 44 62

CURRENT RATING:

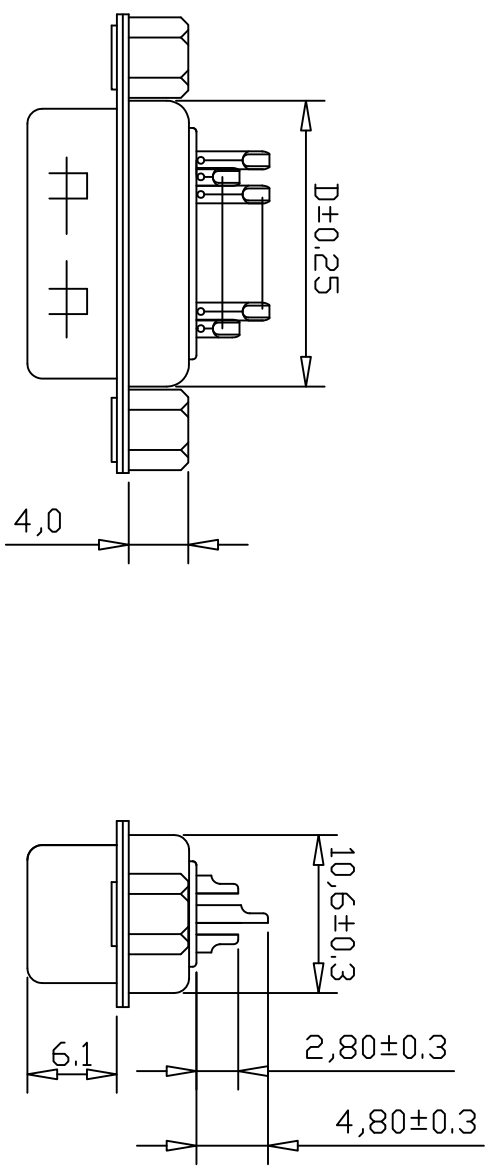
3Amp

INSULATOR RESISTANCE:

1000M Ω MIN. (at 500V DC)

TEMPERATURE:

-55°C to +105°C



	A	B	C	D	E
15	16.9	25.0	30.8	19.0	2.29
26	25.35	33.3	39.2	27.7	2.29
44	39.0	47.0	53.0	41.0	2.29
62	55.4	63.5	69.4	57.3	2.41

HD-X P X V X X X B 0 0

Pin: 15 26 44 62

COLOUR
B: Blue K: Black W: White 2: 6610
blue 3: 235C Red 4: 322C green
6: 1310 Yellow

SHELL PLATING
A: Gold B: Front Gold and back Tin C: Front Nickel and
Back TIN N: Nickel T: Tin 5: Zinc D: CU/ZN/SN

Contact Finish
A: Gold Flash C: Gold Flash3U" D: Gold Flash5U" E: Gold Flash15U"
F: Gold Flash30U" G: Gold T: Tin

东莞扬顺五金电子有限公司
Dong Guan City Yang Shun Hardware Electron Co.,Ltd

未注公差

X.	±0.30
XX	±0.20
XXX	±0.10
XXXX	±0.05
X° ±2°	XX° ±1°

设计: 刘峰
品名规格: HD传统公母线式后柳4.0六角
通孔螺母

审核	料号	日期	图号	型号	D-SUB 15-62Pin
核准	HD-xPxVxxx800	2012.09.03	YS-11-0030	YS-11-0030	
单位	mm				
比例	1:1	版次	A/0		