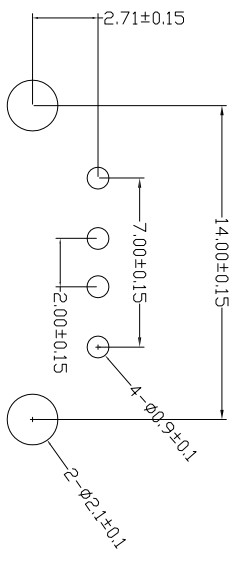
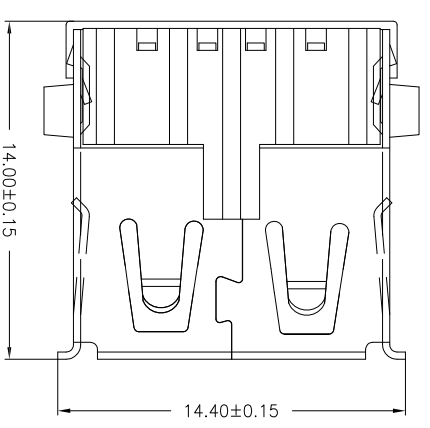
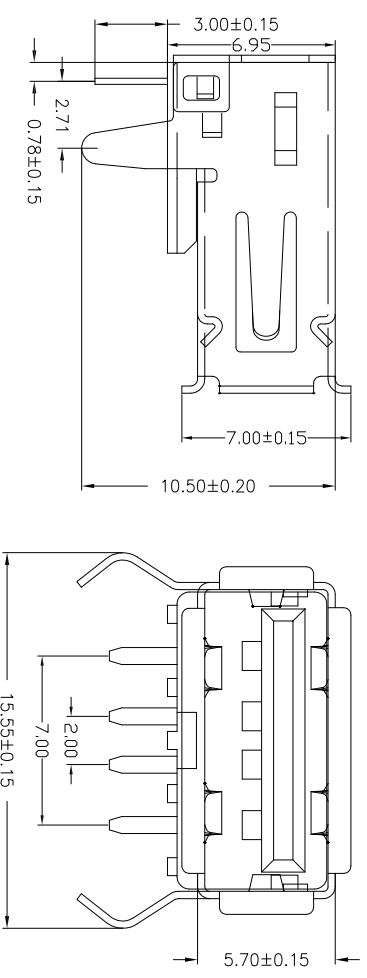


变更标记	日期	变更内容	签名	核准



RECOMMENDED P.C.B. PATTERN LAYOUT

- NOTES:
- Housing: Thermoplastics, UL94V-0
 - Contact: Copper Alloy
 - Shell: Copper Alloy/Steel
 - Voltage Current Rating: 1.5 AMP, 30V AC
 - Insulation Resistance: 1000MΩ Min.
 - Contact Resistance: 30 MΩ Max.
 - Dielectric Withstanding Voltage: 500W AC
 - Temperature Range: -35°C to +85°C
 - Insulator color: Black/White
 - Plastic material: PBT/LCP/Others
 - Shell finish: Ni
 - Mechanical:
 - Mating Force: 3.5KG MAX
 - Umating Force: 0.7 KG MIN.
 - Contact finish:
 - 01: Selective Gold Flash
 - 02: Selective Gold 3U"
 - 03: Selective Gold 5U"
 - 04: Selective Gold 15U"
 - 05: Selective Gold 30U"

备注：侧弹分为外弹与内弹

<p>东莞扬顺五金电子有限公司 Dong Guan City Yang Shun Hardware Electron Co., Ltd</p>		设计	品名规格		AF90度外扣弯脚有卷边+短弹片	
		审核	料号	型号		
X. ±0.30	XX ±0.20	XXX ±0.10	XXXX ±0.05	单位	mm	日期
X.° ±2°	XX' ±1°			比例	1:1	图号
						版次
						A/0