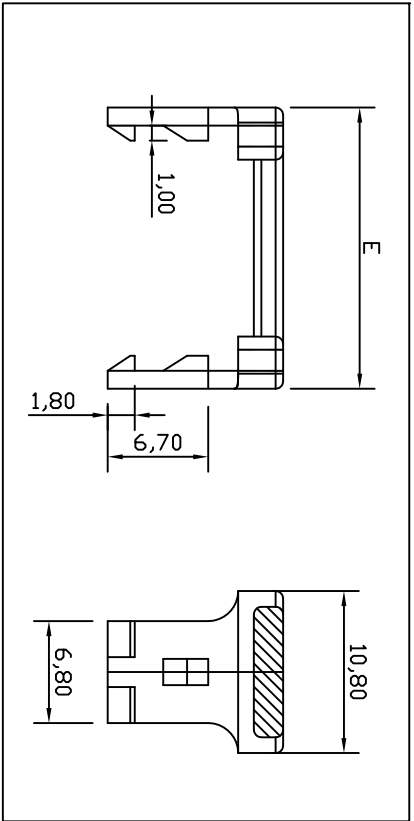
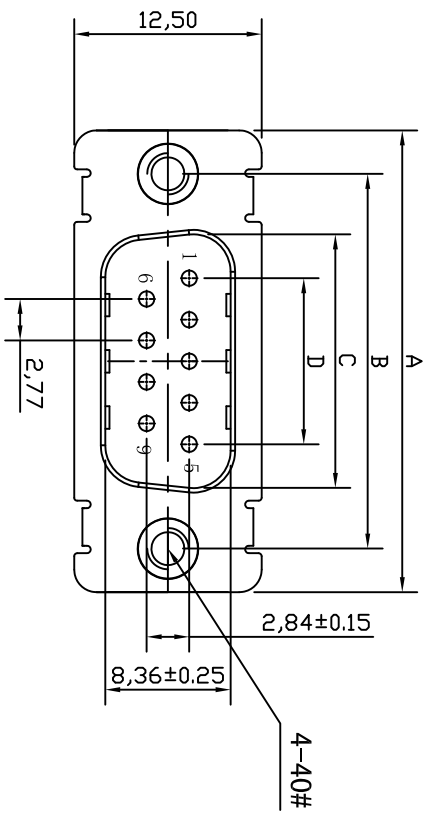
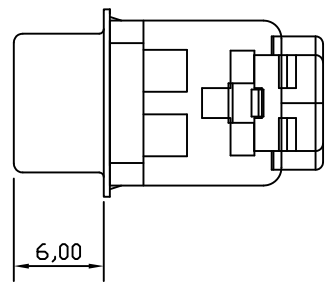
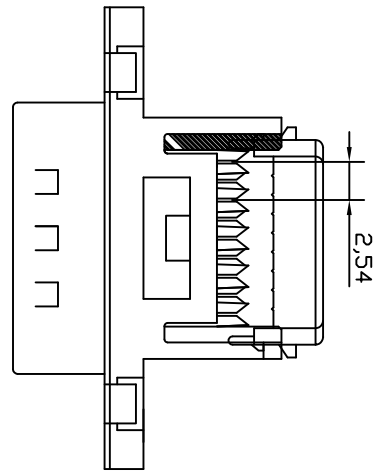


变更标记	日期	变更内容	签名	核准
------	----	------	----	----



Material & finish  
SHELL:  
steel  
Zinc plated, Tin plated  
or Nickel plated steel  
PIN CONTACT:  
Phosphor bronze or brass  
Gold Plated  
INSULATOR:  
PBT & Glass-fibre reinforced  
UL-94-V0  
NUMBER OF CONTACT:  
09 15 25 37  
CURRENT RATING:  
3Amp  
INSULATOR RESISTANCE:  
1000Mn MIN.(at 500V DC)  
TEMPERATURE:  
-55°C to +105°C

尺寸 型号	A±0.38	B±0.25	C±0.25	D±0.25	E±0.25
09	30.80	25.00	16.92	11.08	18.60
15	39.24	33.32	25.25	19.39	26.60
25	53.04	47.04	38.96	33.24	40.90
37	69.45	63.50	55.42	49.86	57.10

DF-X M X V X X X 0 A B-XX  
Pin:09 15 25 37  
COLOUR  
B:Blue K:Black W:White 2:6616  
blue 3:235C Red 4:3226 green  
5:1316YELW 7:GREY

SHELL PLATING  
A:Gold N:Nickel T:Thin 5:Zinc D:CU/ZNSN  
Contact Finish  
A:Gold Flash C:Gold Flash3U D:Gold Flash5U E:Gold Flash15U  
F:Gold Flash30U G:Gold T:Thin T:Gold Flash20U  
HF:Halogen free

**东莞扬顺五金电子有限公司**  
Dong Guan City Yang Shun Hardware Electron Co.,Ltd

未注公差	设计	刘峰	品名规格	D-SUB IDC Male 4-40#		
X. ±0.30	审核		料号	DF-xMxVxxx0AB-xx	型号	D-SUB 9-37Pin
X.X ±0.20	核准		日期	2012.09.03	图号	YS-11-0038
X.XX ±0.10	单位	mm	比例	1:1	版次	A/0
X.XXX ±0.05						
X.° ±2° X.X' ±1'						