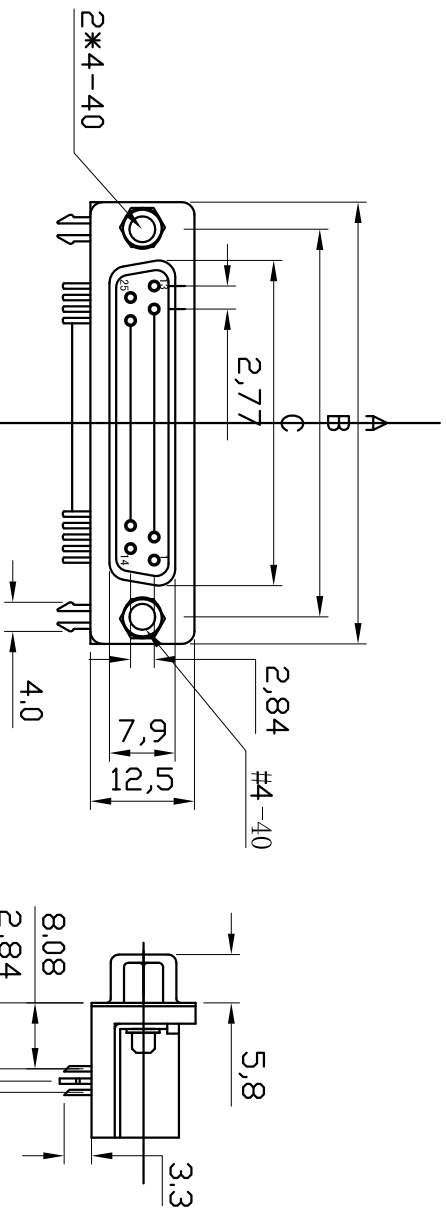


变更标记	日期	变更内容	签名	核准

Material & finish
SHELL:
steel
Zinc plated, Tin plated
or Nickel plated steel
PIN CONTACT:
Phosphor bronze or brass
Gold Plated
INSULATOR:
PBT & Glass-fibre reinforced
UL-94-V0
NUMBER OF CONTACT:
09 15 25 37
CURRENT RATING:
3Amp
INSULATOR RESISTANCE:
1000Mh MIN.(at 500V DC)
TEMPERATURE:
-55°C to +105°C

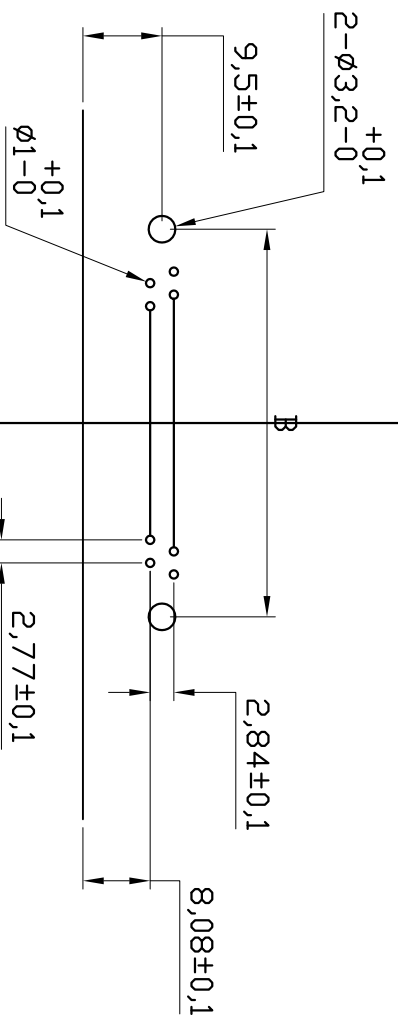



positions	A	B	C
9	30.8	25.0	16.35
15	39.2	33.32	24.7
25	53.1	47.04	38.4
37	70.0	63.5	54.8

DR-X S X V X X G A 0 0

Pin:09 15 25 37
COLOUR
B: Blue K: Black W: White 2.661°C
Blue 3: 235C Red 4: 322C green
5: 131C Yellow

SHELL PLATING
A: Gold N: Nickel T: Tin
Contact Finish
A: Gold Flash C: Gold Flash30U" D: Gold Flash5U" E: Gold Flash15U"
F: Gold Flash30U" G: Gold T: Tin





东莞扬顺五金电子有限公司
Dong Guan City Yang Shun Hardware Electron Co., Ltd

未注公差	设计	品名规格	D-SUB 90度母PCB锁合Z字片	
X. ±0.30	审核	锁11.8*4.8 #4-40	料号	DR-XSXVxxGA00
XX ±0.20	核准		日期	2012.11.30
XXX ±0.10	单位	mm	图号	
X.XXX ±0.05			比例	1:1
X° ±2° XX° ±1°			版次	A/0